

# Xerox® W1 / W2 Inkjet Printhead

The **new** Xerox® W-Series Printhead family brings to market an industry-leading 5,544 jets in a compact printhead design combining high resolution, increased operating frequencies and a generous print width to maximize quality and efficiency for Aqueous or UV ink applications.



Xerox® W1 / W2 Inkjet Printhead

## W-SERIES TECHNOLOGY FEATURES

### 1200 NPI Jet Array

The W-Series jet array contains 5,544 jets capable of being divided into:

- Single 1200 npi mono jetstack array
- Two 600 npi color channels (option)

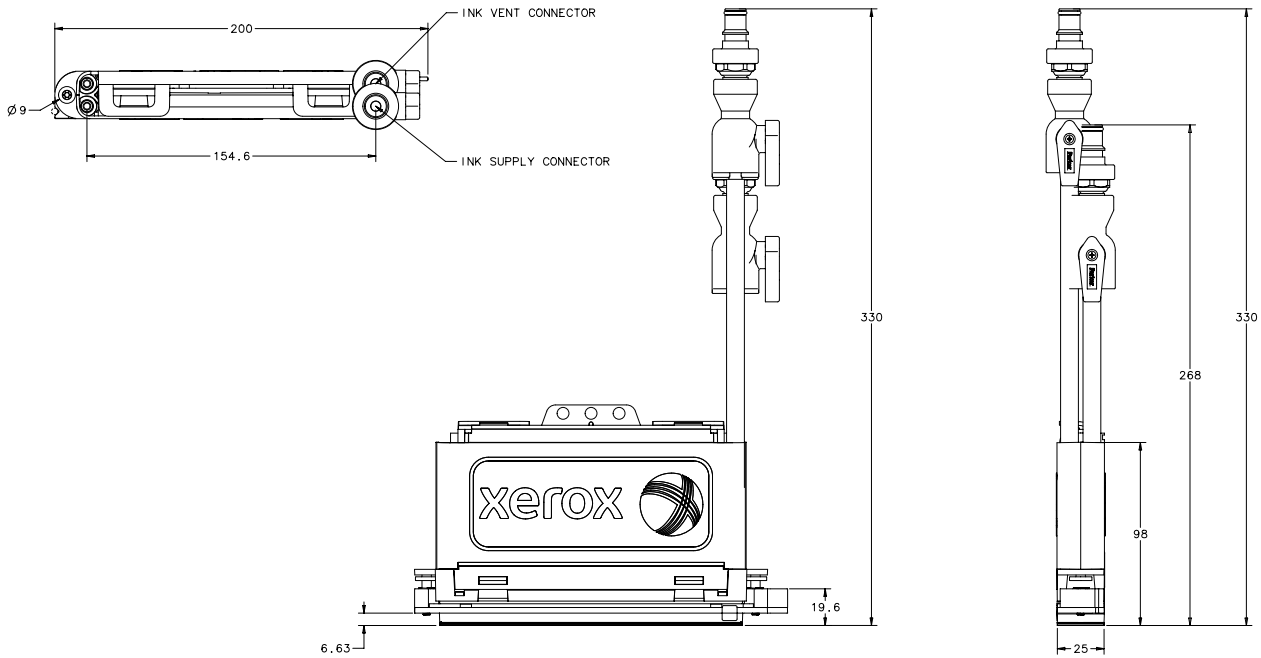
Material compatibility demonstrated on various Aqueous and UV inks.

### High Frequency Operation

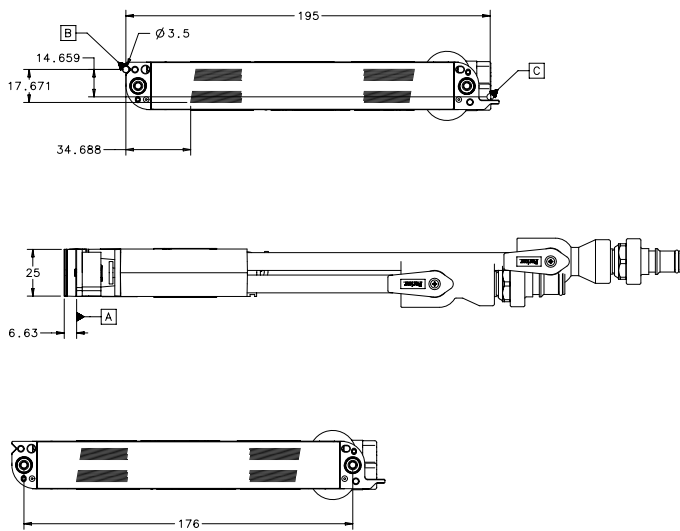
With a maximum operating frequency up to 120 kHz, the W-series provides superior throughput and performance.

Operating Parameters	Unit of Measure	Xerox® W-Series
Number of addressable jets	–	5,544
Single color nozzle spacing	microns (npi)	21.2 (1200)
Rows of nozzles	–	24
Columns of nozzles	–	231
Effective print width (single)	mm	115.0
Total print width (outside)	mm	119.6
Drop size	pl	3 to 9
Grayscale	pl	0, 3, 6
Jet straightness, 1 sigma	mrad	<6
Nominal drop velocity	m/s	10
Operating temperature (max)	°C	60
Operating frequency (max)	kHz	120
Dry weight	grams	386 (13.6 oz)
Wet weight	grams	412 (14.5 oz)

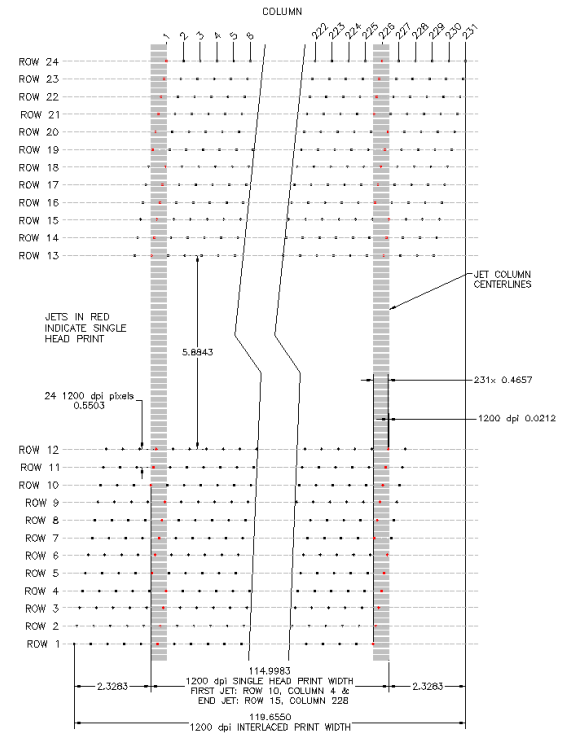
Printhead Envelope and Connector Location Dimensions



Printhead Datum



1200 npi Aperture Layout



For production information, please contact us at [OEMSales@xerox.com](mailto:OEMSales@xerox.com) or visit [www.xerox.com/printheads](http://www.xerox.com/printheads).