

Xerox® W1 40kHz Inkjet Printhead

The Xerox® W-Series 40kHz Printhead family brings to market an industry-leading 5,544 jets in a compact printhead design combining high resolution, increased operating frequencies and a generous print width to maximize quality and efficiency for Aqueous applications.



W-SERIES TECHNOLOGY FEATURES

1200 NPI Jet Array

The W-Series jet array contains 5,544 jets capable of being divided into:

- Single 1200 npi mono jetstack array

Material compatibility demonstrated on various Aqueous inks.

High Frequency Operation

With a maximum operating frequency up to 40 kHz, the W-series provides superior throughput and performance.

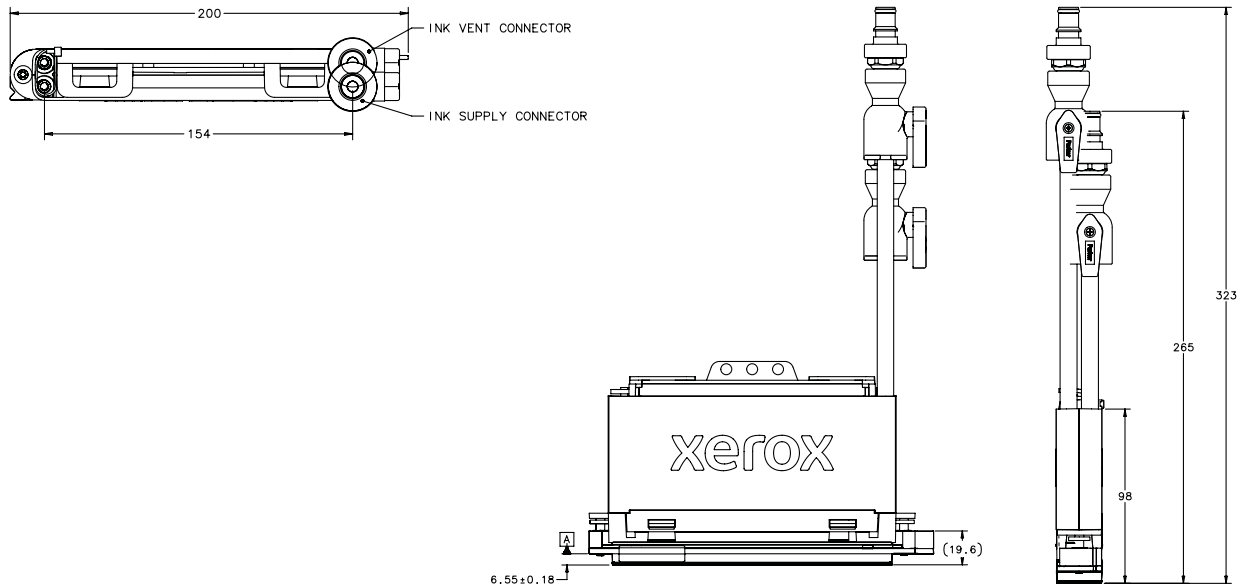
Compatible Optional Components

- Xerox® Drive Module
- Roll Stitch Motors

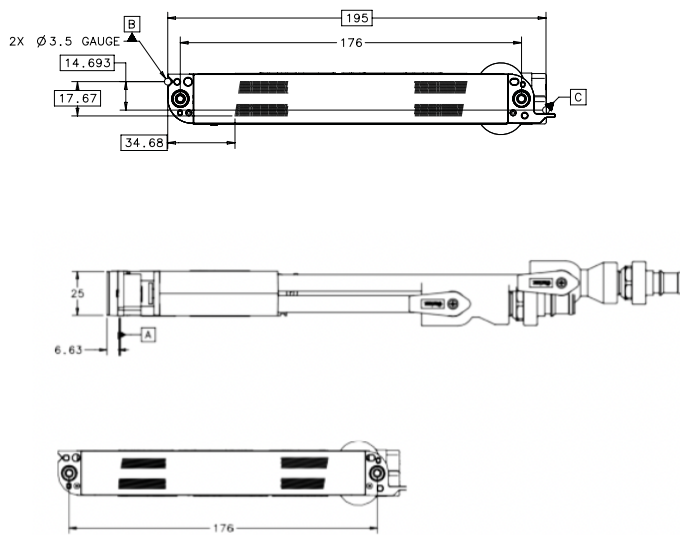
OPERATING PARAMETERS	UNIT OF MEASURE	XEROX® W-SERIES
Number of Addressable Jets	-	5,544
Single Color Nozzle Spacing	microns (npi)	21.2 (1200)
Rows of Nozzles	-	24
Columns of Nozzles	-	231
Effective Print Width (Single)	mm	115.0
Total Print Width (Outside)	mm	119.6
Drop Size	pl	5*
Jet Straightness, 1 Sigma	mrad	≤6
Nominal Drop Velocity	m/s	10
Fluid Viscosity	cP	3 to 7
Fluid Surface Tension	dyne/cm	24 to 50
Operating Temperature (Max)	°C	60
Operating Frequency (Max)	kHz	40
Dry Weight	grams	386 (13.6 oz)
Wet Weight	grams	412 (14.5 oz)

*Standard MFG Product, other sizes possible

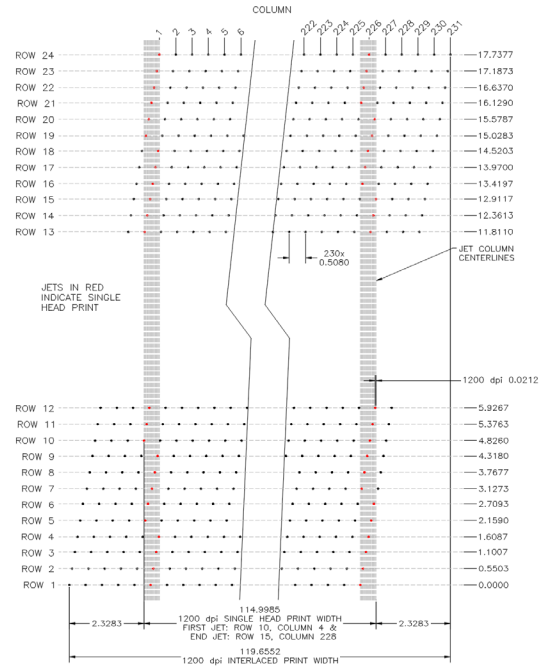
Printhead Envelope and Connector Location Dimensions



Printhead Datum



1200 npi Aperture layout



Product brochure was printed on a Xerox® Baltoro™ Production Inkjet Press with Xerox® W-Series Printheads.

For production information, please contact us at OEMSales@xerox.com or visit www.xerox.com/printheads